

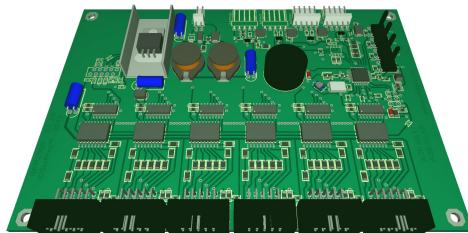
SPO2241.19

Six digit dcf clock

with plug for big 7 segment LED displays
and temperature
and extended alarm function

Datasheet

Version: Firmware 1.82-148



StefPro UG (haftungsbeschränkt) & Co. KG

Theilenmoorstr. 11
26345 Bockhorn, Germany

Phone: +49-4452-709175

Web: <https://www.stefpro.biz/>

E-mail: info@stefpro.biz

Data Sheet Version 2.0.1 - Valid from 22.03.2021.

Table of Contents

Table of Contents	2
Safety	4
Application and function description	5
Function description	5
Technical data	6
Construction description	6
Installation of the module (Dimensions)	6
Connectors	6
X-DC : DC Power input : Print plug 2 pole	7
X-DCF : DCF input, DCF PowerSave output: Print connector 5 pin	7
X-RS UART : SERIAL : Print connector 5 pin	7
X-TEM : Temperature input : Print connector 5 pin	8
X-DSG : Display segment output : Box header 10 pin	8
Names of connector X-DSG:xy	8
Signal description	9
V+	9
VCC	9
GND	9
DCF ps	9
DCF in	9
LightSen	9
TempSen	9
SEG_A, SEG_B, SEG_C, SEG_D, SEG_E, SEG_F, SEG_G, SEG_DP	9
Basic circuit	10
Properties of the components	11
DCF module properties	11
Tested modules	11
Our standard color coding for DCF signals	11
Connection of the DCF module using a fake module	11
Without Power On / Off or Power Save input	11
With Power On / Off or Power Save input	12
Power supply properties	13
Properties of light sensor with Phototransistor	13
Transistor array	14
7 segment displays	14
Checked displays	14
Effect of an acrylic glass	15
Calculate the series resistor for one LED	16
Calculate the series resistor for two LED	16
Temperature sensor	17
Method of calibration with a temperature value	17
Procedure for calibration with an offset value	17
Installation the DCF clock	19
Synchronize with active display	19
Synchronize with deactivated display	19
Button description	21
Overview of buttons	21
Button functions	21
General key functions	21
Menu	21
Normal	22
Display mode of clock	22
Show Temperature	23
Alarm	23
Alarm day selection	23
Alarm enable	24
Alarm time hour	24
Alarm time minute	24
Alarm snooze time	24
Alarm sound wait time	24
Alarm maximum time	24
Alarm exit	25
Brightness	25

Brightness menu	25
Brightness max	25
Brightness min	25
Brightness automatically	25
Brightness speed	26
Brightness factor	26
Brightness offset	26
Activate standby	26
StandBy start hour	26
StandBy end hour	27
StandBy Brightness	27
Exit brightness settings	27
DCF	27
DCF active	27
Receiving brightness	27
Hour of synchronization	28
Receive state display	28
DCF input pull up	28
DCF input invert	28
Power save pin invert	29
DCF sensitivity	29
DCF exit	29
Clock Settings	29
Set hour	29
Set minute	29
Set year	30
Set month	30
Set day	30
Day of week	30
Set time	31
Calibrate quartz	31
Exit clock settings	31
Info section	31
IC number	31
Firmware version	31
Menu end	32
Attachment	33
Bootloader handling	33
Start the IC/module/device in bootloader mode	33
Use the Firmware Upload Tool to upload an update	33
7 segment characters	34
Change log	34
Safety	34
DCF module properties	34
Power supply properties	35
Temperature sensor	35
Set day	35
Liability, warranty and copyright notice	36
Definitions	36
Liability	36
Safety Notes	36
Intended operation	36
Warranty	36
Copyrightnotice	37
Disposal information	38
Impress	38

Safety

Follow the manual



The module is only safe in operation if all instructions are read in this datasheet.

General understanding of safety

By the module there are no hazard under normal use.

Intended Use

The module is designed for driving big displays.

The power should come from a safe transformer (also protected transformer) or a corresponding low voltage power supply for the circuit.










Never use a higher voltage or direct mains voltage!

Concealed Hazards



DANGER

following hazards may arise in case of wrong construction of the circuit and wrong handling of module:

-  With the direct connection to mains, it's a dangerous voltage on the module and other components, use a safety transformer!
-  Reverse polarity and overloading the module may cause in smoke. This smoke possibly contains toxic substances which must not be inhaled! Ventilate the room.
-   Reverse polarity or overload of the module can cause a hot surface on the IC or other component in the circuit.
 - There is a risk of burning when touching.
 - And flammable materials, for example Paper, can come in fire.
-  Spalling of parts on reverse polarity or overloading of the module.
-  Wear during the initial commissioning eye protection.
-  The pins of the components can be pointed and sharp even after installation! Therefore, this may cause in sores in case of incorrect handling.
-  If the buzzer emits more than 90 dB, it may cause hearing loss over a long period of time. The circuit board is intended for installation in a housing, thereby lowering the level of the buzzer used.
-  Use always passing a ESD bracelet to avoid electric charges! The module can be damaged if handling without an earthing tape and housing!

Modifications of the example circuit

The successfully built device may be damaged. Therefore check as appropriate all housing part and lines for damage. This applies in particular to parts of the directly (for example power cord and power supply) or indirectly come into contact with mains voltage.

Application and function description

Function description

This IC can analyze the DCF77 signal, which is received by a receiver and demodulated. The received time and date can output directly to a 7-segment displays. The clock synchronizes itself automatically once a day. The hour of the synchronization can be set in the menu.

The time is displayed according to DIN 5008, which means a leading 0 at the hour. 8 a.m. looks like 08:00:00 and 8 p.m. 20:00:00

Due to the 6-digit display, the date is not shown according to DIN 5008. The 24 December 2020 looks on the display like 24.12.20.

The DCF77 signal is a low frequency radio signal which transferred the time and date. It will be sent in Frankfurt am Main, derived of the local atomic clock and sent with the carrier frequency of 77.5 kHz. Therefore, these watches are also known as radio clock.

The input for the DCF77 antenna can now automatically detect whether a pullup resistor is required and whether the input has to be inverted.

With this IC an advanced alarm clock function is implemented. In this each day can be set individually.

This IC is suitable for big displays and has a SPI interface for Shift registers or LED driver.

This IC also has an adjustable brightness control for the display, thereby the display is easy to read during the day and at night it does not light out the entire room.

With this IC the **temperature** will be displayed alternately with the time and or date.

This IC has a bootloader, which allows you to update the IC firmware. This means that you will always remain at the current state of the Firmware for the IC, without further costs.

Technical data

- Operating voltage: 9 to 15 volts DC
- Current: max 2A
- Power: approximately 24 W
- Volume level of the buzzer: approx. 85 to 90 DB
- Accuracy of the timer: better uncalibrated 99.999.9 %; calibrated better 99.99999.999 %
- Temperature accuracy:
 - Worst inaccuracy: ± 2.5 °C
 - Typical: ± 1 °C
 - Calibrated: $< \pm 1$ °C

The values apply when using the LM35, when calibrated, the value can also be reached for other sensors.

Construction description

Installation of the module (Dimensions)

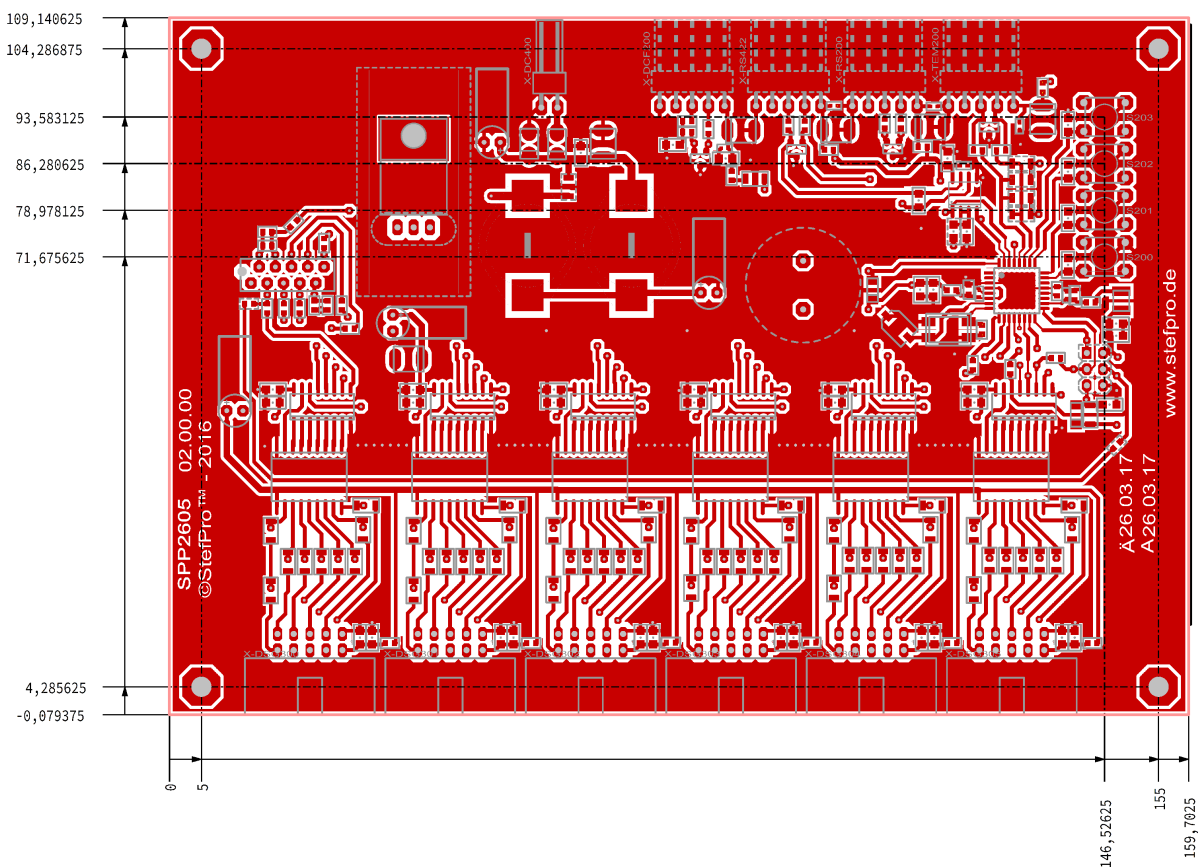


Figure 1: Installation (Dimensions) description for module SPP2605.9

Secure the module securely in a housing with an M3 screw.

Connectors

X-TEM : Temperature input : Print connector 5 pin

Pin	Name	Direction	Function	Maximum
1	GND	Power		
2	N.C.		Do not connect	VCC
3	LightSen	Analog input	<u>light sensor</u> input	VCC
4	TempSen	Analog input	<u>Temperature sensor</u> input	VCC
5	VCC	Power		5 volts DC DC, 30mA

X-DSG : Display segment output : Box header 10 pin

Pin	Name	Direction	Function	Maximum
1	GND	Power		
2	V+	Power	LED Power output	9 to 15 volts DC DC, 8 x 35mA = 280mA
3	SEG_G	Analog output	<u>Segment G</u> output	9 to 15 volts DC
4	SEG_F	Analog output	<u>Segment F</u> output	9 to 15 volts DC
5	SEG_E	Analog output	<u>Segment E</u> output	9 to 15 volts DC
6	SEG_D	Analog output	<u>Segment D</u> output	9 to 15 volts DC
7	SEG_C	Analog output	<u>Segment C</u> output	9 to 15 volts DC
8	SEG_B	Analog output	<u>Segment B</u> output	9 to 15 volts DC
9	SEG_A	Analog output	<u>Segment A</u> output	9 to 15 volts DC
10	SEG_DP	Analog output	<u>Segment DP</u> output	9 to 15 volts DC

The segment outputs A - G have internal 100 ohms, for 250mW and the segment outputs DP have internal 300 ohms, for 500mW.

**WARNING**

For segment outputs A - G at 35mA is the minimum segment voltage 8.5V and for segment outputs DP at 35mA is the minimum segment voltage 1.2V so that there is no overloading of the resistors. You can reduce the current with a resistor in series. The minimum segment voltage is thereby also reduced.

Names of connector X-DSG:xy

Please replace the lower x by:

- H : Hour
- M : Minute
- S : Second

And the lower y by:

- T : Tens digit
- U : Unit digit

This are the names:

- X-DSG:HT = Hour Tens digit
- X-DSG:HU = Hour Unit digit
- X-DSG:MT = Minute Tens digit
- X-DSG:MU = Minute Unit digit
- X-DSG:ST = Second Tens digit
- X-DSG:SU = Second Unit digit

Signal description

V+

Operating voltage

VCC

Operating voltage for external modules

GND

Ground

DCF ps

DCF Modules Enable pin, this pin enables the DCF modules when needed. Whether the pin is LOW or HIGH active can be set in the menu.

DCF in

Input for the DCF77 antenna. Inverting can be adjusted automatically or manually. Pull up resistor can be switched on in the menu.

LightSen

Analogue input for a light sensor.

TempSen

Analogue input for a temperature sensor.

SEG_A, SEG_B, SEG_C, SEG_D, SEG_E, SEG_F, SEG_G, SEG_DP

Cathode connections for the LED segments of the 7 segment displays.

Basic circuit

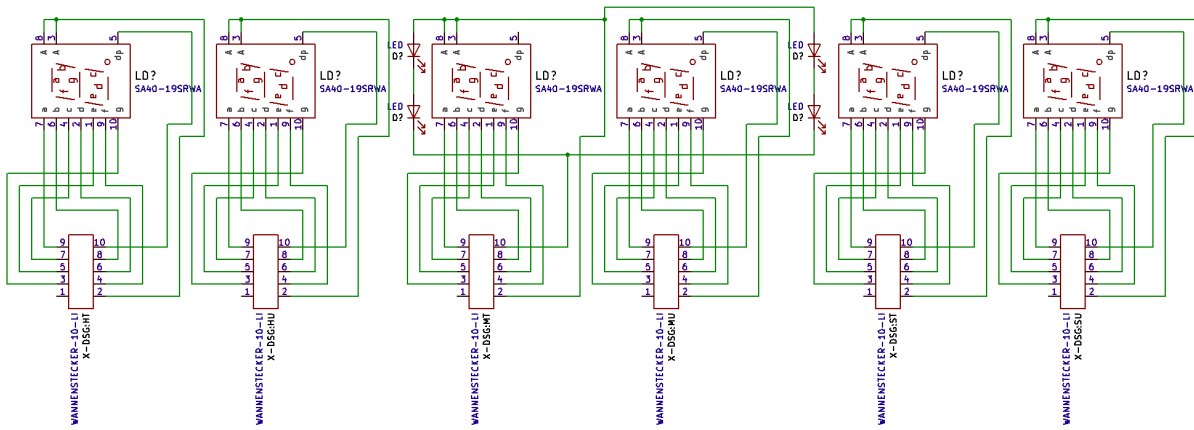
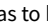
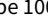


Figure 2: Basic circuit of SPO2241.19

Here is an example of the wiring between the module and SA40 7 segment displays from KingBright. The decimal point of X-DSG:MT is used as a colon.

Properties of the components

DCF module properties

- The module has to be able to work with an operating voltage of 5V (some modules have an operating voltage range of 1.2 to 15 volts, these are also usable)
- The output has to be able to drive a CMOS input with a input impedance of 10kΩ
- For DCF modules with open collector (open collector) or open drain output the input detected automatically by default whether a pull-up resistor is required. In menu a pull-up resistor can be connected or disconnected permanently.
- Polarity of the output:
 - The output has to be non inverting, the high  state has to be 100ms or 200ms
 - The output has to be inverting, the low  state has to be 100ms or 200ms
 - The receiving LED should at good reception signal flash every second for 100 ms and 200 ms. Does the receiving LED goes off every second for 100 ms and 200 ms, then the polarity is wrong. Unfortunately, you then connected a wrong module, this can't be analyzed with the microcontroller.
 - Whether the output is non inverting or inverting, is detected automatically by default or can be set in the menu.
 - The receiving LED should at good reception signal flash every second for 100 ms and 200 ms. Does the receiving LED goes off every second for 100 ms and 200 ms, then the polarity is wrong. To correct this, you has to be invert the setting for the inverting DCF input pin in the menu. (Instead of on → off → on or off)
- The DCF module can have a power on / off pin. Then the DCF module is automatically switched off when the DCF signals from the microcontroller are not analyzed. In the menu can be set if the DCF module is with low or high on.

Tested modules

Module	GND	VCC	DCF input	PowerSave output	Comment
Conrad DCF Modul	1 (GND)	2 (Betriebs...)	3 (DCF Ausgang)	-	
ELV DCF Modul	3 (Masse)	1 (+ UB)	2 (Signal-Ausgang)	-	
Pollin DCF Modul	GND	VCC	DATA	PON	Caution An additional circuit is required for an operating voltage of more than 3.3V!

Our standard color coding for DCF signals

- GND: black
- VCC: rot
- DCF input: green
- PowerSave output: white (is not supported by each DCF receive module)

You can usually also supply the DCF receiver via the PowerSave output. But in this case you must ensure that this output is not inverted in the menu and that the pin must not be permanently loaded with more than 20 mA.

Connect the DCF module with approx. 10 cm wire, it is best to select the colors as in the table above, so that this can be mounted at some distance from the display.

WARNING

Please check the pin assignments! It is not in our hands whether the manufacturers of the DCF receive modules change the pin assignments at a later date.

Connection of the DCF module using a fake module

Here you will find some examples for the wiring of the DCF modules, as already mentioned, some strands are intended for wiring.

Without Power On / Off or Power Save input

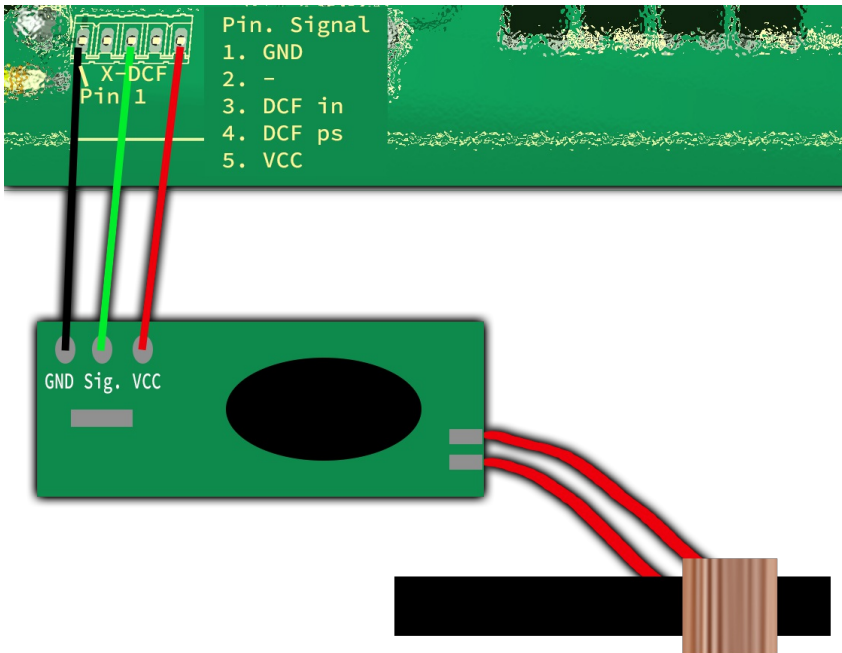


Figure 3: DCF connection to VCC

In the figure above you can see the classic wiring of the 5-pin pin strip and the DCF receiver module. Here the receiving module is permanently supplied with 5 volts or VCC and therefore also permanently supplies a signal.

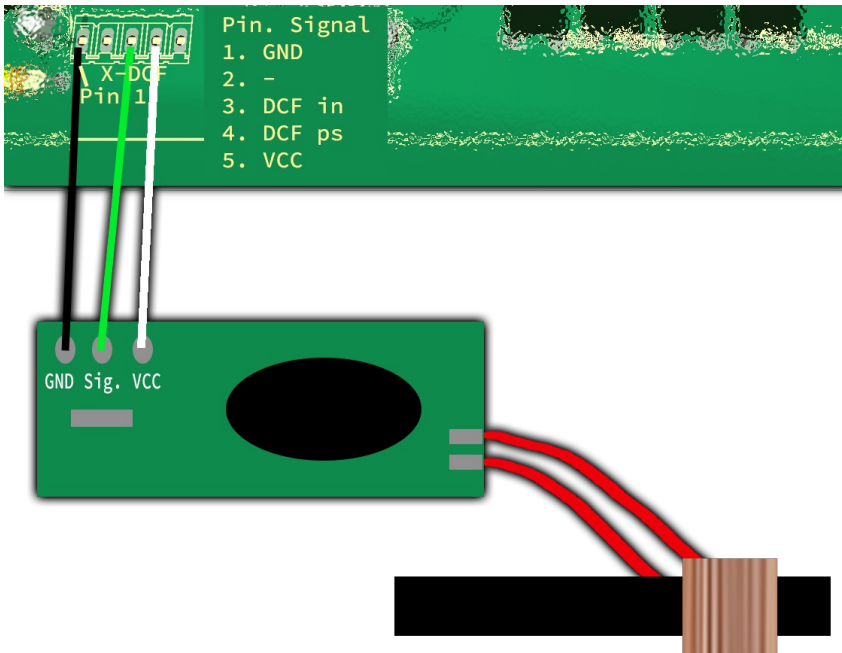


Figure 4: DCF connection with PowerSave

In this figure above you can see a wiring with the PowerSave signal as VCC for the DCF receiving module. Here the receiving module is only supplied with voltage while the analysis is being carried out. When using this, make sure that the setting in the DCF menu does not invert the PowerSave output (see "Power save pin invert")!

With Power On / Off or Power Save input

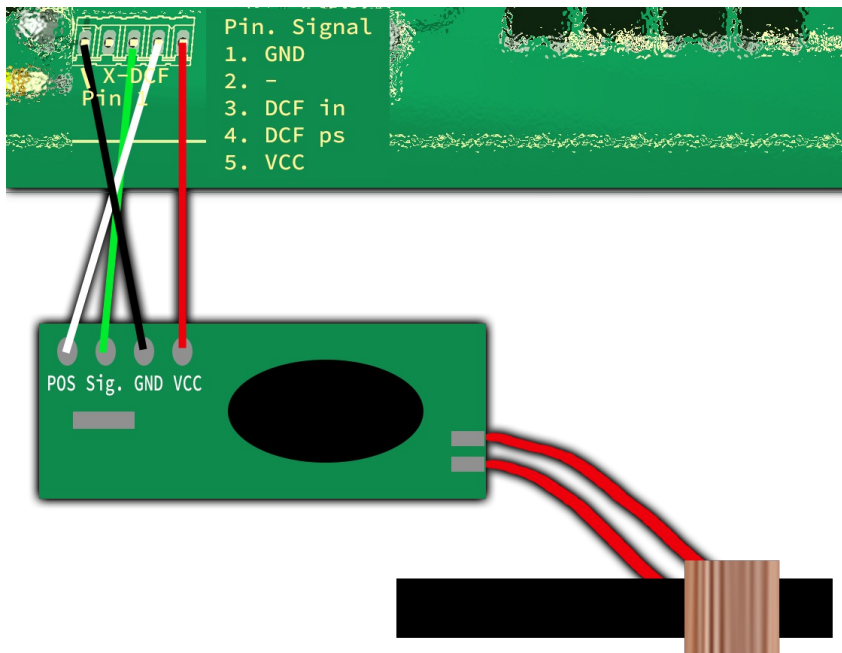


Figure 5: DCF connection with VCC and PowerSave

Here you can see the wiring with VCC and the PowerSave signal. Here the receiving module is only switched on while the analysis is being performed. A supply of voltage is permanent.

Power supply properties

Since the clock is usually to be operated on a 230 volt power supply, a power supply unit is required. This can be a normal transformer power supply or a switching power supply.

Transformer power supply:

- Pro:
 - Cheap
 - Little interference for DCF reception
- Contra:
 - Heavy
 - Depending on the power is it big
 - Poor efficiency
 - Even if the circuit requires little power, some power may be needed
 - Higher electricity costs

Switching Power Supply:

- Pro:
 - Light
 - Small
 - Good efficiency is possible
 - Standby possible with very low power requirements
 - Lower electricity costs than with the transformer power supply
- Contra:
 - Larger interference for DCF reception
 - Usually a little more expensive

Switching power supplies should be preferred, unfortunately they have the disadvantage that many can interfere with the DCF reception and the DCF clock is not synchronized. Switching power supplies with a PE feedthrough (PE is connected to ground) often have better interference behavior, but this cannot be generalized. The switching power supplies offered in our shop have been tested and only minimally interfere with DCF reception.

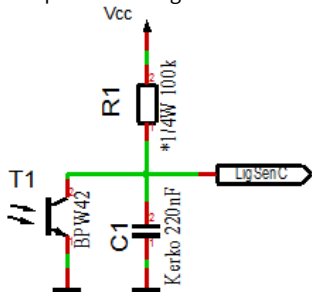
WARNING

Use only a power supply unit with electrical isolation!

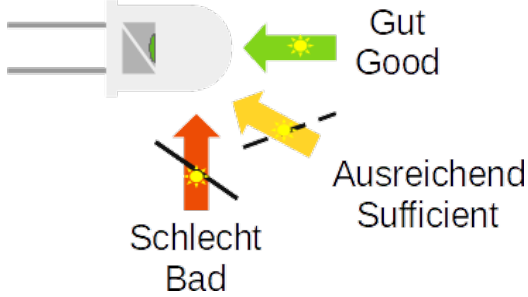
Properties of light sensor with Phototransistor

The light sensor is used to control the brightness of the display. As light sensors many phototransistors are suitable, in the example circuit a BPW42 is used. If another phototransistor is used, may you need to change the value of the pull-up resistor R1. The menu allows to adjust the calculation factor, offset and the control speed. If the sensor is mounted behind a contrast panel, it must be taken to ensure that the wavelength of the phototransistor

can passed through the contrast screen.



In the case of the BPW42 and similar photo transistors in the LED diode housing, the incidence of light must take place as follows in order to achieve the best result:

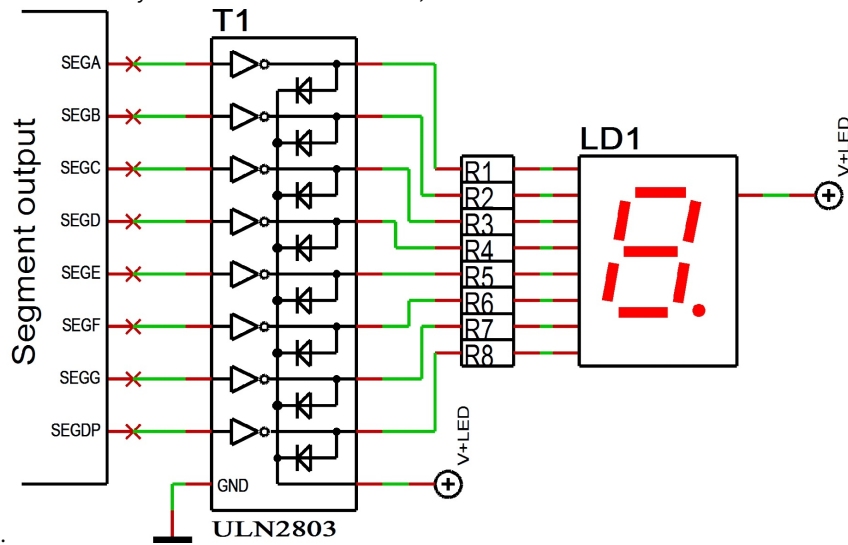


NOTICE

When using a different phototransistor or a different photodiode, it may be necessary to adapt R1 (top picture) and the settings in the menu!

Transistor array

For the sake of convenience, a transistor array is used for drive the cathode, in this case it is the ULN2803. This transistor array is located on the



module as well as the resistors.

7 segment displays

The seven-segment display LD1 and LD2 must have a common anode. Via R1 to R8 the brightness of the LEDs can be set.

Checked displays

Manufacturer no. Hersteller-Nr.	Manufacturer Hersteller	Color Farbe	Brightness Helligkeit
0.39 in - 10mm			
SA 39-11 SRWA	KINGBRIGHT	Red- Rot	—
SA 39-11 GN	KINGBRIGHT	Green- Grün	—
0.52 in - 13,3 mm			
SA52-11SRWA	KINGBRIGHT	Red- Rot	—
SA52-11LSRWA	KINGBRIGHT	Red- Rot	—
SA52-11EWA	KINGBRIGHT	Red- Rot	—
SA52-11YWA	KINGBRIGHT	Yellow- Gelb	—

SA52-11LYWA	KINGBRIGHT	Yellow-Gelb	—
SA52-11GWA	KINGBRIGHT	Green-Grün	—
SA52-11LGWA	KINGBRIGHT	Green-Grün	—
SA52-11QBWA-D	KINGBRIGHT	Blue-Blau	—
LTS-546AP	Lite-On	Red-Rot	—
TDSR5160	Vishay Semiconductors	Red-Rot	—
TDSG5150	Vishay Semiconductors	Green-Grün	—
0.56 in - 14,2 mm			
SA 56-11 EWA	KINGBRIGHT	Red-Rot	—
SA 56-11 GWA	KINGBRIGHT	Green-Grün	—
0.8 in - 20,32 mm			
SA08-11SRWA	KINGBRIGHT	Red-Rot	—
SA08-11EWA	KINGBRIGHT	Red-Rot	Testis still pending - Test steht noch aus
SA08-11YWA	KINGBRIGHT	Yellow-Gelb	—
SA08-11GWA	KINGBRIGHT	Green-Grün	—
SA08-11PBWA	KINGBRIGHT	Blue-Blau	—
HDSP-8601	Agilent	Green-Grün	—
2.3 in - 56,9 mm			
SA23-12SRWA	KINGBRIGHT	Red-Rot	✓
SA23-12EWA	KINGBRIGHT	Red-Rot	✓
SA23-12YWA	KINGBRIGHT	Yellow-Gelb	✓
SA23-12GWA	KINGBRIGHT	Green-Grün	✓
4.0 in - 100 mm			
SA40-19SRWA	KINGBRIGHT	Red-Rot	✓
SA40-19EWA	KINGBRIGHT	Red-Rot	✓
SA40-19YWA	KINGBRIGHT	Yellow-Gelb	✓
SA40-19GWA	KINGBRIGHT	Green-Grün	✓

- ✓ Works fine. The input voltage of the module may need to be adjusted, we will be happy to advise you. Please note that the ambient brightness can unfortunately reduce the impression of brightness somewhat.
Funktioniert perfekt. Die Eingangsspannung des Moduls muss ggf. angepasst werden, wir beraten Sie gerne. Bitte beachten Sie, dass die Umgebungshelligkeit den Helligkeitseindruck leider etwas mindern kann.
- — Works but not fine - Funktioniert, aber nicht zu empfehlen
- ✗ Doesn't work - Funktioniert nicht
- ✗ Not tested, would not work directly - Nicht getestet, da nicht direkt möglich.

Effect of an acrylic glass

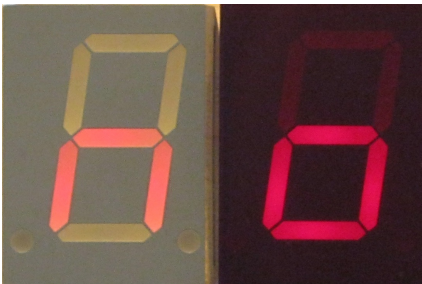


Figure 6: SA08-11SRWA left without and right with contrast pane with front light.

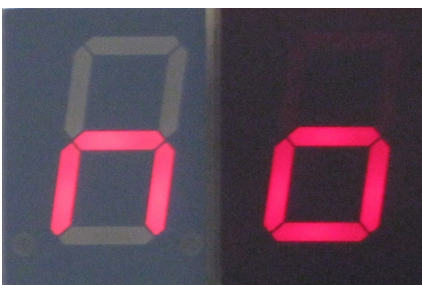


Figure 7: SA08-11SRWA left without and right with contrast pane without front light.

Below with and above without front light.

Because the display control is static, all 7 segment displays can be used. It can only be that, with reduced brightness setting, not all 7 segment displays lead to the desired result.

All segments with 4 LEDs were limited with a 220 ohm resistor. All segments with 2 LED (decimal point on SA23 and SA40) were limited with 390 ohm resistor.

This circuit is not optimised for minimum components and power. The displays are therefore easy to read when illuminated directly by lamps. The brightness of the display is also important for readability. A milky display such as the SA40 is not as easy to read as a display consisting of individual clear LEDs. Even in the shade there is still enough light, namely around 10,000 lux. At maximum current, however, the SA40-SRWA only measured approx. 3,000 lux with a Peaktech 3695.

It is recommended to place a contrast glass in the corresponding display colour in front of the displays, see figure 7 and 6.

Correct colour of the glass.

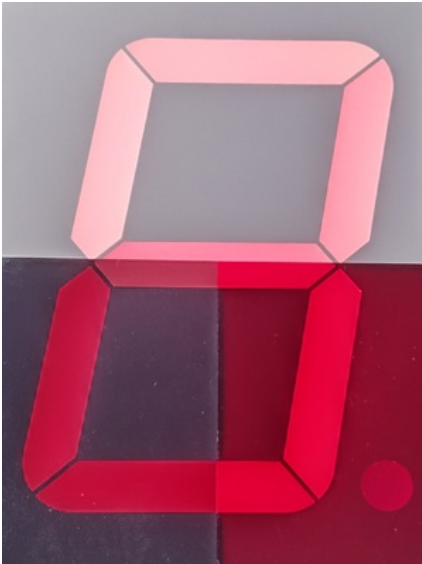


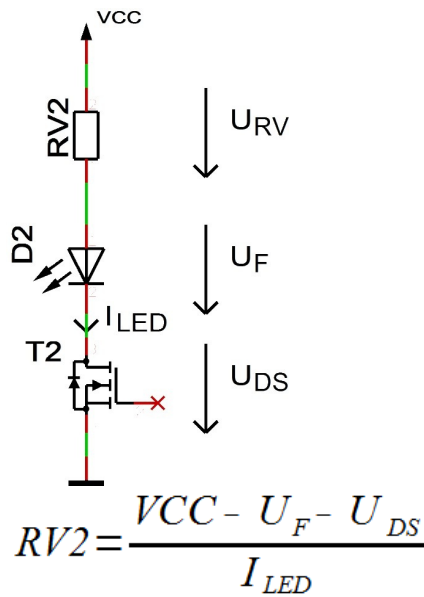
Figure 8: SA40-19SRWA top without, bottom left grey and right with red contrast lens with front light

SPI contrast without front light 2

Figure 9: SA40-19SRWA upper red and lower gray contrast pane with front light.

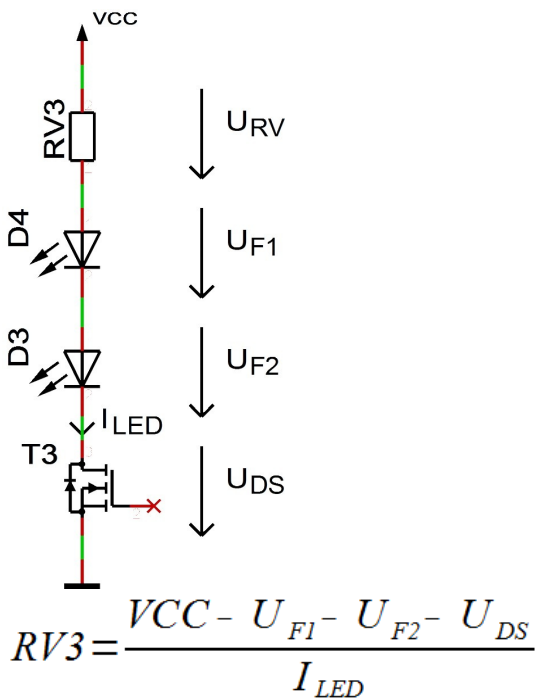
The colour of the disc also makes a difference, see 8 and 9 with 20,000 lux front light. Note: The menu is always displayed with 100% brightness.

Calculate the series resistor for one LED



- $U_{DS} \approx 0$
- $I_{LED} < 35 \text{ mA}$

Calculate the series resistor for two LED



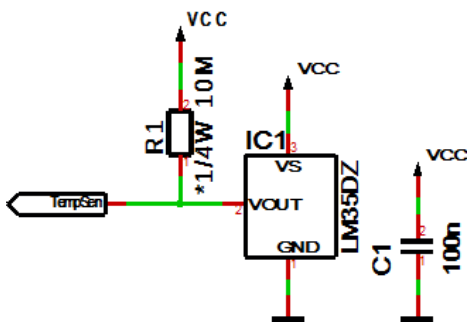
- $U_{DS} \approx 0$
- $I_{LED} < 35 \text{ mA}$

Temperature sensor

The temperature sensor is used to display the temperature and it must be an analog sensor with $10\text{mV} / 1^\circ\text{C}$. This is to be connected to the temperature sensor input (TempSen).

From version 1.79-144 the temperature sensor can be calibrated and also display negative temperatures. The calibration is done with one decimal place, but the display is always an integer.

When installing the temperature sensor, make sure that it does not receive any foreign heating, installation directly on the circuit board can make a difference of several $\text{Å}^\circ\text{C}$ (Kelvin) under certain circumstances!



R1 is optional for the detection of whether a sensor is connected or not; this is not necessary with permanent wiring.

Method of calibration with a temperature value

You can carry out a calibration with a temperature value yourself with a suitable temperature measuring device.

1. Use a temperature measuring device that is as accurate as possible to measure the temperature that the connected temperature sensor is exposed to; ideally, both sensors are thermally coupled.
2. Select Show temperature in the menu and press the + button for longer than a second, the currently measured temperature is displayed.
3. Set the temperature from the precise temperature measuring device and wait briefly until the display jumps back.
4. The correct temperature should now appear on the display. If this is not the case, repeat the process.

Procedure for calibration with an offset value

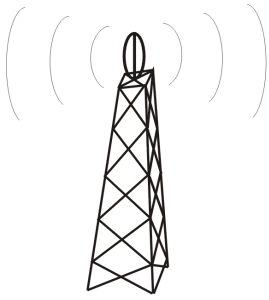
The calibration with offset value is intended if you buy a sensor with a previously measured offset value.

1. Select Display temperature in the menu and press the button for longer than one second, the current offset value is displayed.

2. Set the supplied offset value and wait briefly until the display jumps back.
3. The correct temperature should now appear on the display. If this is not the case, please contact us.

The calibration only refers to the offset, the linearity cannot be changed!

Installation the DCF clock



Sender in Frankfurt



DCF77-Antenne

Figure 10: Align the DCF antenna

The external antenna receives the DCF77 signal and should be directed to Frankfurt, as shown in Figure 10. The antenna should be placed at least 1 meter away from a monitor, computer or other disturbing electronic devices .



During installation, the receiving LED can be used as an orientation to the quality of reception. The LED should flash at intervals of one second. If the antenna is properly aligned and the signal is strong enough, the display changes of „no signal,, (No impeccable DCF77 signal) in „SEArCH,, (search for the 59th second). Was the 59th second found so will the display shows „rEAd60,, (read the DCF time) henceforth. It still takes 60 seconds to display the correct time. If the clock is not synchronized to the DCF time, the receiver LED flashes DCF work cycle (power reserve is in operation), if the LED is enabled in the menu. Is the display not changed to „SEArCH,, the antenna is probably disturbed by a device or the antenna is too close to the display. Because the DCF antenna is so sensitive that it can disturb by the display in the near field, there is the possibility to reduce the brightness of the display during the synchronization, or to deactivate the display. This problem have all other DCF clocks with multiplexed LEDs displays also. By a darker display the DCF antenna can be mounted significantly closer to the display.

Synchronize with active display

This mode is active when in menu under "receive brightness" the brightness is set > 0. Appearance of the text on the screen:



Synchronize with deactivated display

This mode is active when in menu under "receive brightness" the brightness is set to 0. When synchronizing with disabled display, only one decimal point for orientation appears.





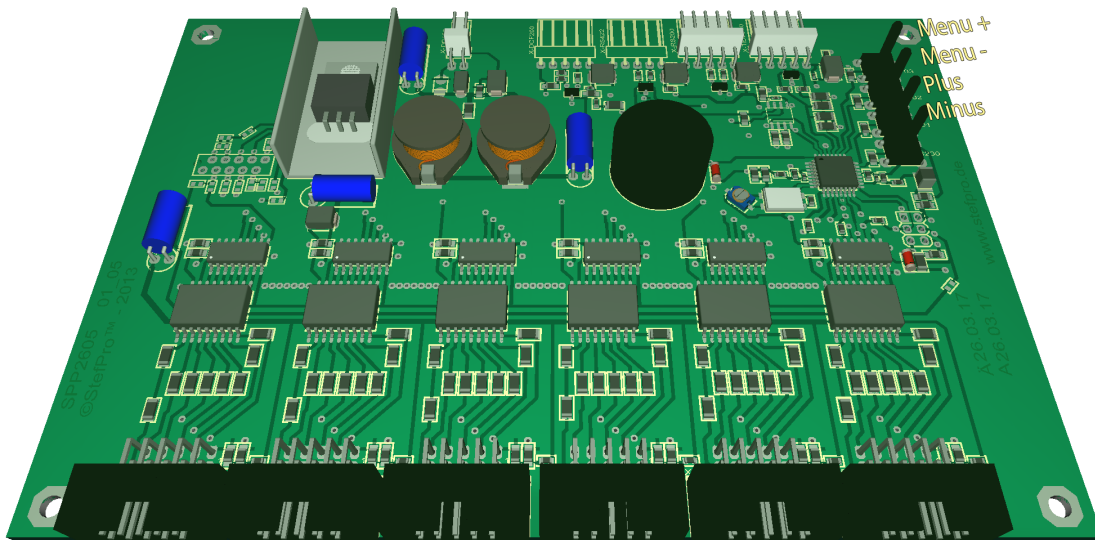
„SEArCH,, Search the fifty-ninth second.



„rEAdXX,, read the dcf time.

Button description

Overview of buttons



Button functions

Menu+	Opens the menu, next setting
Menu-	Opens the menu, previous setting
Plus or +	Function key, usually +, On or jump into and exit a submenu
Minus or -	Function key, in general - or off

To open the menu you have to press one the menu buttons. Use the menu+ button to navigate forward and the menu- button to navigate backward.

General key functions

- A submenu is always opened with the "Plus" or "+" key and with menu display "... E" it can be exited again with "Plus" or "+".
- For numerical properties, the number is increased with the "Plus" or "+" key and decreased with the "Minus" or "-" key.
- If it is an On / Off property, then "Plus" or "+" sets On and "Minus" or "-" sets Off.
- With lists, the value is changed according to the order with the "Plus" or "+" button, with "Minus" or "-" this happens in the opposite way.
- In special cases, this is described in detail next to the images.

Menu

Level 1	Level 2
Normal↓	
Display mode of clock↓	
Show Temperature↓	
Alarm↓	Alarm day selection → Alarm enable → Alarm time hour → Alarm time minute → Alarm snooze time → Alarm sound wait time → Alarm maximum time → Alarm exit ☺
Brightness↓	Brightness menu → Brightness max → Brightness min → Brightness automatically → Brightness speed → Brightness factor → Brightness offset → Activate standby → StandBy start hour → StandBy end hour → StandBy Brightness → Exit brightness settings ☺
DCF↓	DCF active → Receiving brightness → Hour of synchronization → Receive state display → DCF input pull up → DCF input invert → Power save pin invert → DCF sensitivity → DCF exit ☺
Clock Settings↓	Set hour → Set minute → Set year → Set month → Set day → Day of week → Set time → Calibrate quartz → Exit clock settings ☺

Information ↓
 IC number ↓
 Firmware version ↓

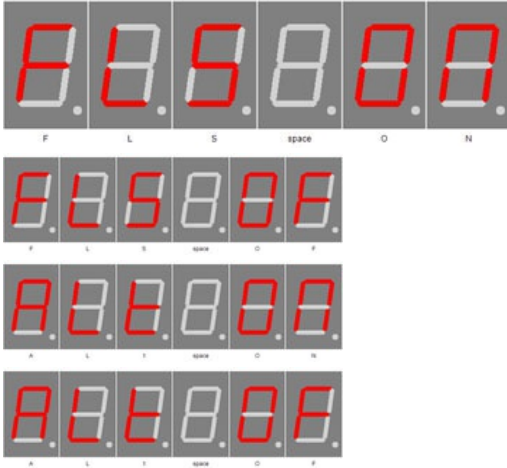
Level 2

↓: Next step in main menu.

→: Next step in sub menu.

↺: The submenu starts again.

Normal

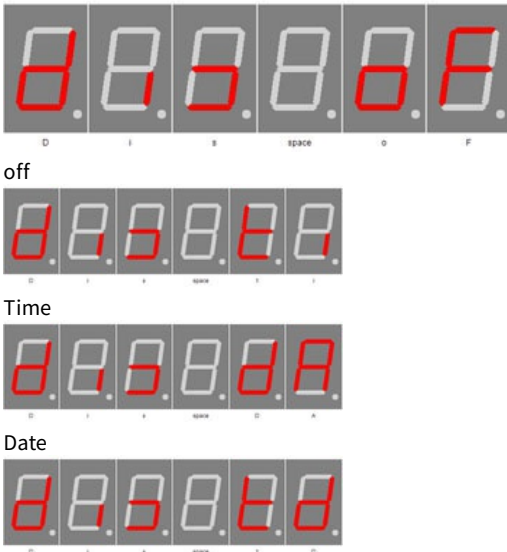


Normal mode, outside of the menu.

Here the plus (+) button has the function of the alarm temporary switch on or off.

The minus (-) key switches the display back to 100 % (flashlight, automatic brightness control is switched off) or to normal brightness.

Display mode of clock



Use plus (+) and minus (-) to set the mode how to display time and date.

- OF: Does not display the time / date. When the temperature display is active, the temperature is displayed continuously. If no temperature display is possible or active, dashes (-) are shown in the display.
- ti: Shows only the time.
- dA: Shows only date.
- td: Shows time and date alternately.

NOTICE

If the temperature display is active, always alternate with it.

Show Temperature



Display temperature on



Display temperature off



Temperature calibration

Enables the temperature display. Plus (+) enables the temperature display and minus (-) disables it.

Long press plus (+) activates the calibration via temperature input, long press - activates the calibration via offset value. You can find more information in the chapter "Temperature sensor" - "Method of calibration ...".

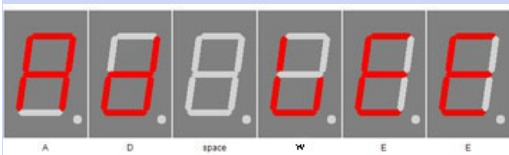
Alarm



ALARM

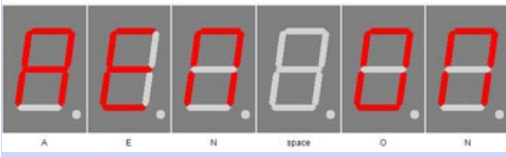
With plus (+) you enter the sub-menu Alarm.

Alarm day selection

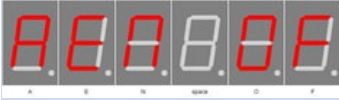


Use plus (+) and minus (-) to select the day or which group is to be edited. There are the group Week (WEE) and weekend (wnd). Saturday and Sunday are in the group weekend, all other days are in the group week. Through these groups, it is possible to set the alarm for several days at once. If the alarm is active for the week, so the weekdays can no longer be adjusted individually and inheriting the groups setting. A decimal point indicates whether the alarm on the day or group is active.

Alarm enable



ALARM ON



ALARM OFF

Enables the alarm. Plus (+) sets the alarm to "AEN ON" and minus (-) sets it to "AEN OF".

Alarm time hour



Alarm hour

Use plus (+) and minus (-) to set the hour for alarm. The number can be 0-23

Alarm time minute



Alarm minute

Use plus (+) and minus (-) to set the minutes for alarm. The number can be 0-59

Alarm snooze time



Alarm snooze time

Use plus (+) and minus (-) to set the minutes for the snooze function. The number can be 1-30

NOTICE

If "alarm maximum time" is shorter than alarm snooze time, the snooze function is disabled!

The snooze function can be activated in alarm/wake-up mode with plus (+) and minus (-) and the alarm can be stopped with the menu buttons.

Alarm sound wait time



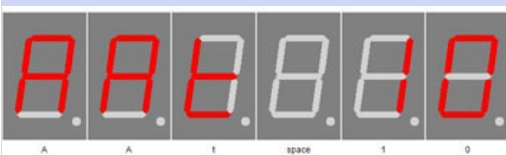
Alarm sound delay

Use the plus (+) and minus (-) buttons to set the maximum alarm duration in minutes. The number can be 0 - 10.

NOTICE

If "Alarm sound delay" greater selected as maximum alarm time, then the display is only set to 100% brightness! No buzzer alarm!

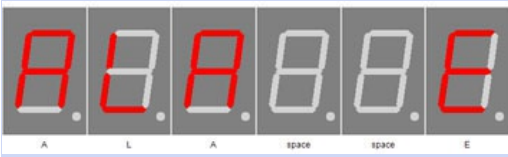
Alarm maximum time



Alarm after time

Use plus (+) and minus (-) to set the maximum time in minutes for the alarm. The number can be 2-60.

Alarm exit



Alarm exit

With Plus (+) you exit the sub-menu alarm.

Brightness



Brightness

With plus (+) you enter the sub-menu brightness.

Brightness menu



Brightness

Sets the brightness of the menu. The number can be between 10 and 25, with 10 being the darkest menu and 25 the lightest.

Brightness max



Brightness high

In this menu item, the maximum brightness plus (+) and minus (-) of the display can be adjusted.
This is also used when auto brightness is disabled.
The number can be between 0 and 25, with 0 being the darkest and 25 the lightest.

Brightness min



Brightness low

In this menu item, the minimum display brightness can be adjusted with plus (+) and minus (-).
The number can be between 0 and 25, with 0 being the darkest and 25 the lightest.

Brightness automatically



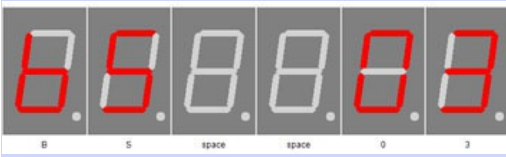
Brightness automatically on



Brightness automatically off

This allows to turn on with plus (+) and off with minus (-) the auto brightness.

Brightness speed



Brightness speed

Use plus (+) and minus (-) to set the speed of auto brightness.

The number can be between 0 and 20 and delays the brightness calculation by approx. 100 ms. With the setting 20, the brightness is therefore recalculated every 2 seconds. The maximum value may differ depending on the firmware.

Brightness factor



Brightness factor

Use plus (+) and minus (-) to set the calculation factor for auto brightness.

The number can be 1-99. There is no unit for this, as it cannot be defined due to component tolerances.

Brightness offset



Brightness offset

Use plus (+) and minus (-) to set the calculation offset for auto brightness.

The number can be between -99 and 99. There is no unit for this, as it cannot be defined due to component tolerances.



Brightness offset -99



Brightness offset +99

Activate standby



StandBy (Powersave) Enable On

With plus (+) activate and minus (-) deactivate the standby mode, in this case the display is switched off or darkened. This depends on the "standby brightness". The clock and alarm function are still available, the time, date or temperature are simply not displayed.

Through the flashlight function can this interrupted.



StandBy (Powersave) Enable Off

StandBy start hour



StandBy (Powersave) Start Hour

The standby operation starts from this hour. Only full hour can be set by plus (+) and minus (-).

The range is from 0 (midnight) to 23 (11pm).

StandBy end hour



StandBy (Powersave) Finish Hour - Endstunde

From this hour on, standby operation ends. Only full hour can be set plus (+) and minus (-).

The range is from 0 (midnight) to 23 (11pm).

StandBy Brightness

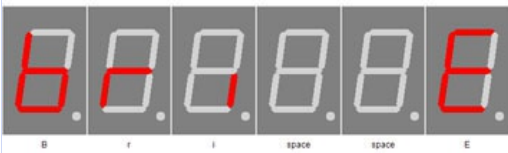


StandBy (Powersave) Brightness level 1

Use plus (+) and minus (-) to adjust the brightness of the display in standby mode, 0 means off.

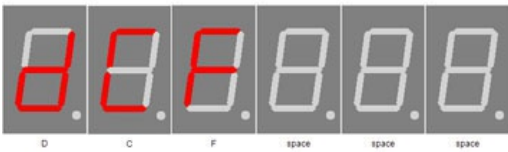
The range is 0 to 90, but 90 corresponds to 9 of the other brightness settings in this menu.

Exit brightness settings



With plus (+) you exit the sub-menu brightness.

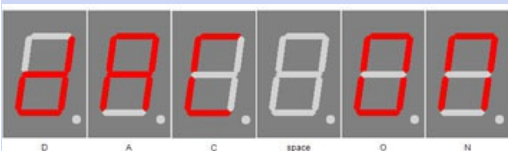
DCF



DCF

With Plus (+) you enter the sub-menu DCF.

DCF active



DCF active on



DCF active off

Use plus (+) and minus (-) to set whether or not DCF reception is active. If the DCF reception is deactivated, the clock only works with the built-in quartz clock. Note that in this case the time base must be set as well as possible.

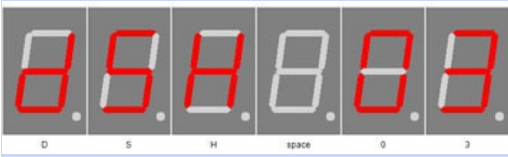
Receiving brightness



Receiving brightness

Use plus (+) and minus (-) to set the brightness during the DCF receiving. If 0, the display is turned off and the status of the synchronization is shown by decimal points. The number can be 0-25.

Hour of synchronization



DCF synchronize hour



DCF synchronize hour disabled

Use plus (+) and minus (-) to set the hour in which the DCF clock will synchronize. In this hour, the DCF signal will be analyzed until a synchronization has occurred or the hour changes.

The number can be 0-23.

If the display shows "--" instead of a number, the synchronization hour has been deactivated and the dcf receiver is constantly trying to synchronize. In this case, the receipt display can also be displayed permanently.

Receive state display



DCF status decimal point display

Use plus (+) and minus (-) to set the mode for the receive LED, which shows the received signal. The number can be 0-2.

- 0: Only until the clock has been synchronized.
- 1: Shows the received signal when the clock is not synchronized with the DCF77 signal.
- 2: During the synchronization phase, the receive signal is always on the receive LED regardless of the DCF77 synchronization flag.

Only while the clock is trying to receive the DCF signal, see "Hour of synchronization".

DCF input pull up



DCF input pull up auto



DCF input pull up on



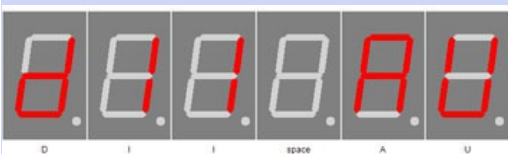
DCF input pull up off

DCF77 input pin with pullup

- AU: Pull Up is automatically (default).
AU is activated by pressing the plus (+) button.
- ON: Enables the pull-up resistor
- OFF: Disables the pull-up resistor
ON and OFF is activated and toggled by the minus (-) button.
- Conrad DCF module = ON
- ELV DCF module = ON
- Pollin DCF module (3.3 V) = OFF

No guarantee for correctness of the information and changes of the manufacturer.

DCF input invert



DCF input invert auto



DCF input invert on



DCF input invert off

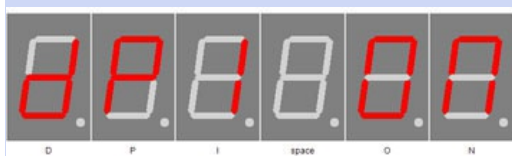
DCF77 inverting the input pin

- AU: input is automatically inverted or not (default).
AU is activated by pressing the plus (+) button.
- ON: Input inverts
- OFF: no input inverted
ON and OFF is activated and toggled by the minus (-) button.
- Conrad DCF module = for PIN3 ON, PIN4 OFF
- ELV DCF module = ON
- Pollin DCF module (3.3 V) = OFF

No guarantee for correctness of the information and changes of the manufacturer.

If the receive LED is off every second, the setting must be inverted.

Power save pin invert



DCF powersave invert on



DCF powersave invert off

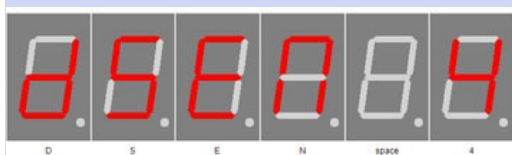
Inverts DCF77 power On / Off output, plus (+) enables inversion and minus (-) disables it:

- ON: Power ON / OFF output is inverted (module ON at GND)
- OFF: power on / off output is not inverted. (module ON at VCC)
- Conrad DCF module = No power on / off input pin available
- ELV DCF module = No power on / off input pin available
- Pollin DCF module (3.3 V) = ON

No guarantee for correctness of the information and changes of the manufacturer.

Read the instructions of the receiver module for the power on / off pin of the DCF module to set this setting correctly. Many modules do not have this pin, then this setting can be ignored.

DCF sensitivity



DCF sensitivity

Use plus (+) and minus (-) to set the DCF Sensitivity. 1 has a very low tolerance and 6 has the highest tolerance for reception. The Sensitivity should be set as small as possible to avoid incorrect receiving. The number can be 1-6. Tolerance means the deviation from the high and low of the time signal, i.e. 100 or 200 ms of the DCF signal.

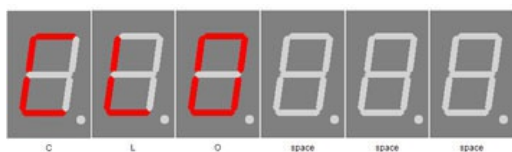
DCF exit



DCF Exit

With plus (+) you exit the sub-menu DCF

Clock Settings



clock

With plus (+) you enter the sub-menu clock.

Set hour



change time

Use plus (+) and minus (-) to set the hour. The number can be 0-23.

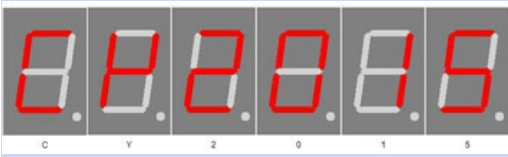
Set minute



change time

Use plus (+) and minus (-) to set the minute. The number can be 0-59.

Set year



change year

Use plus (+) and minus (-) to set the year.
The number can be 2000-2099.

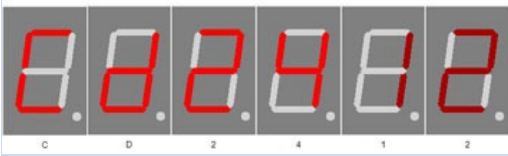
Set month



change month

Use plus (+) and minus (-) to set the month.
The number can be 1-12.

Set day



change day

Use plus (+) and minus (-) to set the day, limit by month.
The number can be 1-28, 29, 30, 31.

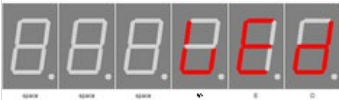
Day of week



Monday - Montag



Tuesday - Dienstag



Wednesday - Mittwoch



Thursday - Donnerstag



Friday - Freitag



Saturday - Samstag



Displays the day of the week from the set date.

Set time



Set settings

Plus (+) sets the time, while looking for DCF time, otherwise the time will be provided directly.

Calibrate quartz



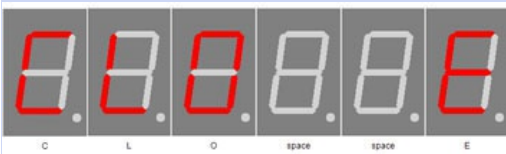
Calibrate quartz +10



Calibrate quartz -10

With plus (+) and minus (-) the quartz can be calibrated, a positive value increases the period time and a negative value reduces it. The period should also be set as precisely as possible to 1ms or 1kHz (for frequency measurement). The measurement must be carried out on pin TB. Further information can be found in the chapter [Quartz properties - Accuracy of the time](#).

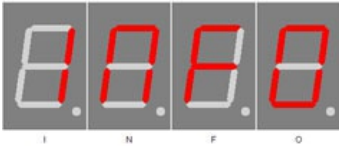
Exit clock settings



Clock end

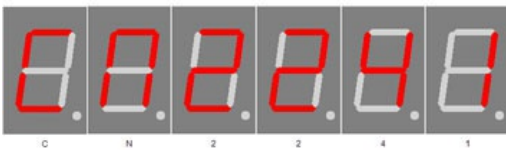
With plus (+) you exit the sub-menu clock. Until here the clock, without DCF synchronization, will be taken and used until the next scheduled synchronization.

Info section



This indicates the start the information area

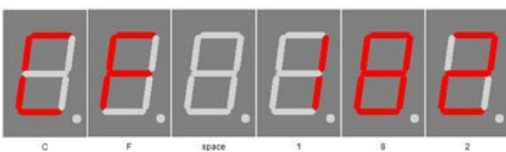
IC number



Chip number

IC / device type

Firmware version

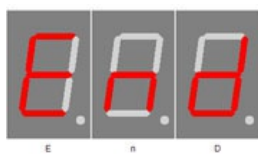


Firmware version

Firmware version

Example, it might be something else at this point.

Menu end



End

End of the menu, hide automatically after 2 seconds.

Attachment

Bootloader handling

Start the IC/module/device in bootloader mode

1. Switch off the IC/module/device.
2. Connect the UART adapter (USB → 3.3 volts or 5 volts UART or RS232 → 3.3 volts or 5 volts UART).
The signals for the bootloader can be find on connector X-RS UART."RXD" → UART adapter TXD and "TXD" → UART adapter RXD.
3. Press the button S1, power up the IC/module/device with voltage and do not release this button until you hear a short BEEP. The display is off.
4. Now you can connect to the firmware upload tool.

**WARNING****Wrong UART level**

If an incorrect voltage level (for example directly RS232, ± 12 Volt) is used, the UART adapter or the IC/module/device can be damaged or destroyed. In the worst case, overheating and fire may occur!

NOTICE**Defect firmware**

Defect firmware can be detected as follows: Every second a short BEEP.

Use the Firmware Upload Tool to upload an update

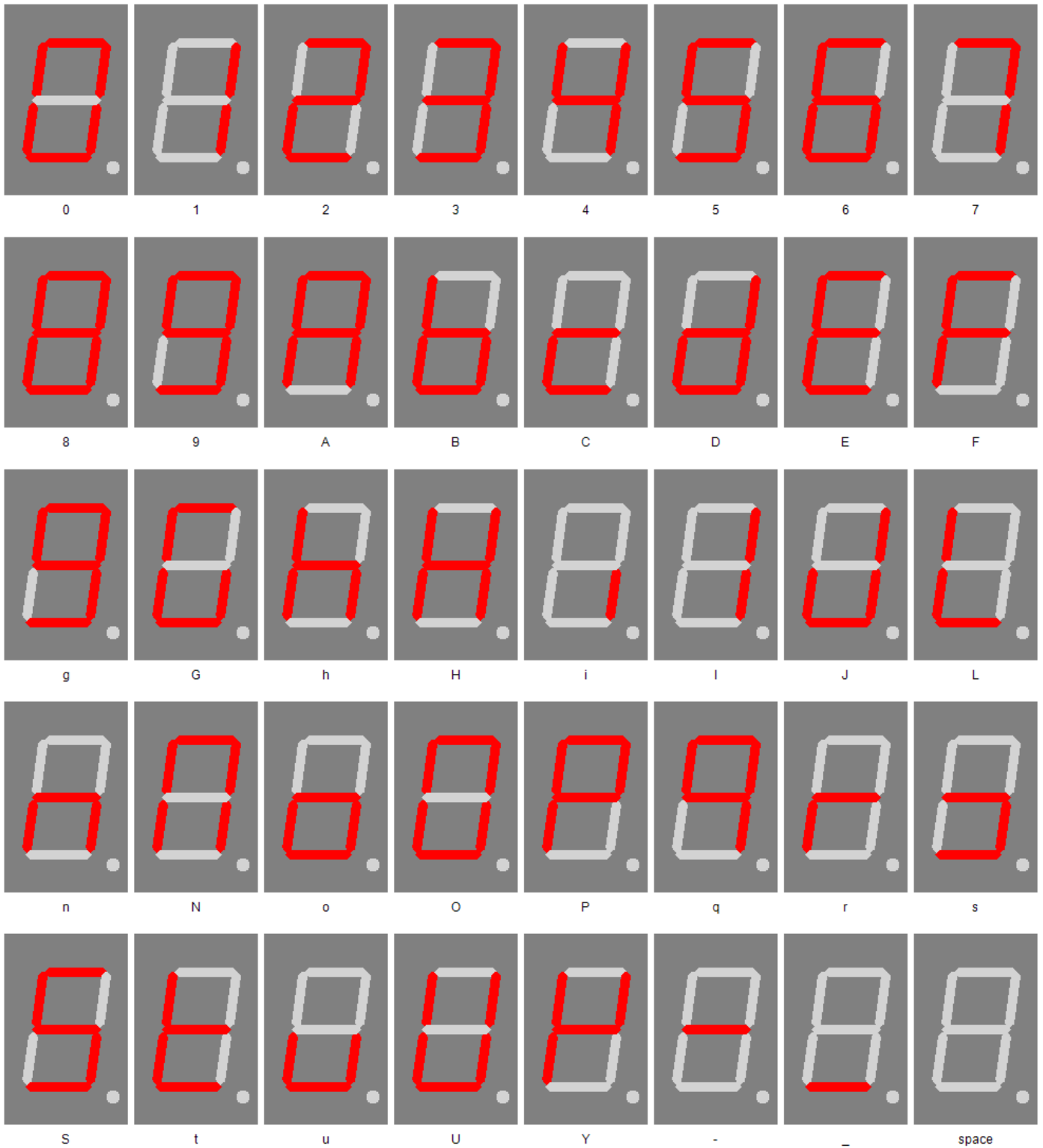
1. Download the latest upload tool from www.stefpro.biz: [SP Firmware UP](#)
2. Start the tool
3. Select the COM port.
4. Press the "Load" button and select a firmware which you have previously downloaded from SP Firmware UP
5. Now press the "Connect" button, the data from the IC / Module / device will be read and the compatibility of the new firmware with the IC / module / device will be checked
6. If an upload is possible, you can now press the "Upload Firmware" button. The upload starts and should not be interrupted.

NOTICE**Firmware upload interruption**

If the firmware upload is interrupted or uploaded an inappropriate firmware, so there is a broken firmware, the IC can be operated only in bootloader mode.

7 segment characters

The symbolism of each character:



Change log

Safety

20.03.2017 - 1.0.3 - ADD
Add ESD note

DCF module properties

21.11.2016 - 1.0.1 - ADD

Add list of tested modules

20.03.2017 - 1.0.3 - ADD

Update list of tested modules, add standard pin assingment

Power supply properties

21.12.2019 - 1.0.5 - ADD

Add SNT description

Temperature sensor

22.03.2021 - 2.0.1 - ADD

Add add temperatur sensor and calibration description

Set day

23.04.2017 - 1.0.4 - ERROR

Bugfix wrong title, this sets the day not the month.

Liability, warranty and copyright notice

Definitions

- "Module": A PCB which is delivered without housing and is intended for installation.
- "Manufacturer of the whole device": The manufacturer of the whole device, the natural or legal person is mounted a device which can be made to function without special knowledge. E.G. Simple connection to the network via a euro, safety plug or by connecting to a power supply.

Liability

- Although the information contained in this document has been checked very carefully for accuracy and completeness, for errors and omissions can not be held liable. StefPro reserves the right to any time change any portion of the described hardware and software features.
- StefPro provides only specific "module" which is intended for installation. The "Manufacturer of the whole device" obliges to compliance to the relevant valided VDE, CE and EMC regulations. StefPro has verifies compliance with the requirements for this module random. Because the installation is not performed by StefPro, must additional inspection after installation of the modules by the "Manufacturer of the whole device".
- There is no liability for damages incurred directly by or in the application of the "module", as well as for damage caused by chemical or electrochemical effects of water or generally from abnormal environmental conditions.
- "Modules" by StefPro may not be used in critical equipment. At disregard exclusively the responsibility of "Manufacturer of the whole device."

These include:

- medical devices for implanting or life obtained.
 - Critical equipment for space, aerospace and traffic.
 - Other important life components or systems, where an error is fatal.
- All devices developed with a "Modules" by StefPro must be the responsibility of the "Manufacturer of the whole device" sufficiently tested to detect any defects.

Safety Notes

- Since the built module is operated with an electrical voltage, the valid VDE regulations are complied with.
- Components and modules do not belong in the hands of children!
- The module complies with the requirements of protection class III.
- The "module" may NOT directly to line voltage (or voltage > maximum operating voltage) in any case! It can be fatal!
 - Whenever it is that safe operation is no longer possible, the module / device must be taken out of service and secured against inadvertent operation. This assumption is justified,
 - when the module / device has visible damage,
 - when the module / device has loose parts
 - when the module / device no longer works
 - after prolonged storage under unfavorable conditions (eg outdoors or in moist environments)

Watch for correct voltage and connection of the "module" Voltage and / or connection mistakes are beyond our control. Thus we can not assume any liability for damages arising out of it.

Intended operation

- The used electrical parts and components are designed for a temperature between 0 °C ... +45 °C, so the device may only be operated and stored in this temperature range. It is therefore intended for use within a building, which corresponds to the specified environmental conditions. During transport, the temperature may be between -10 °C ... + 50 °C.
- If condensation has formed during transport or storage, the modules must be acclimatized for approx. 2 hours before commissioning.
- It must not be operated in an increased dust, high humidity, explosion risk or aggressive chemical exposure.
- Ensure proper operation and connection. Operating and/or connection errors are outside our area. Unfortunately, we can not accept any liability for damages resulting of this.
- The improper operation of this module may result in damage of this module, personal injury or property damage.
- The safety instructions must be observed!
- The manufacturer is not responsible for all personal injury and property damage caused by improper operation.

Warranty

- StefPro warranty only for the Modules and their firmware. The warranty is exclusively limited for the replacement of the IC within the warranty period for obvious defects in the hardware, and programming error.
- Warranty does not extend the warranty period or starts a new period again.

- Additional or deviating claims are excluded, especially claims for damages arising out of the product for damage. This will not affect claims based on inalienable rules under the product liability law.

Copyrightnotice

The circuitry and firmware to the module from StefPro is protected by copyright. Unauthorized reproduction or distribution of Modules with this program or any portion of it. This is pursued both criminal and civil law, and may result in severe penalties and compensation for damages.

Disposal information

Do not dispose devices in household garbage!

This modules or devices comply with the EU directive on electronic and electrical equipment (WEEE regulation) and therefore may not be disposed of with household waste. Dispose of the device over your local collection center for electronic equipment!



WEEE-Reg.-Nr.:

DE 58929072 (StefPro UG (haftungsbeschränkt) & Co. KG)

DE 78089358 (StefPro Einzelunternehmen bis zum 01.01.2015)

Impress

StefPro™ UG (haftungsbeschränkt) & Co. KG
- Softwareentwicklung für Prozessoren

Dipl. Ing. (FH) Stefan Nannen

Theilenmoorstr. 11

26345 Bockhorn – Germany

Phone: +49-4452-709175 (please note our [business hours](#))

Web:<http://www.stefpro.biz/>

E-mail: info@stefpro.biz